

Pre-Installation Specifications

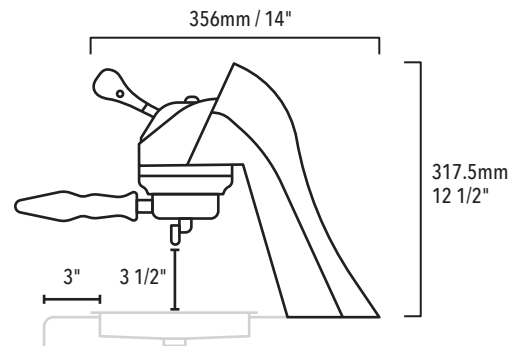
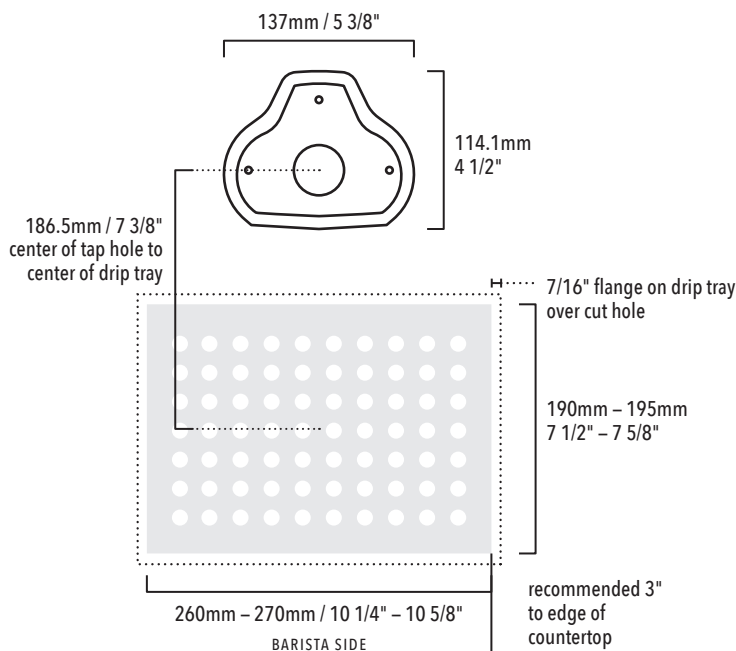
Modbar AV 2 Group + Steam

Instructions for plumber, electrician, architect or designer, outlining the specific requirements **PRIOR TO INSTALLATION** of the Modbar AV Espresso System.

Prepare your site for the installation of three to four taps in the countertop surface, three to four drip trays, and two modules on well-ventilated shelves or rack directly below the taps.

Designer or Architect Specifications — Above Counter

- A dry, well-ventilated counter area, which is between 32" and 38" high, with a depth of at least 20".
- An area to be provided near the machines for a grinder and working area. To maintain a clean look, we recommend considering grinder placement and location. Building a drop into the countertop between 4" and 8" can be effective.
- 1 1/2" holes drilled through the countertop for each tap and appropriate holes cut for each drip tray. Cuts should be made prior to the installation using the Modbar AV layout template.
- If installing multiple taps, leave 12" between center holes on adjacent taps.
- If installing scales, countertop surface thickness must be between 3/4" and 4".



Designer or Architect Specifications — Below Counter

- Cabinet space should have a depth of at least 20" and a width of at least 27" to allow for clearance around and behind the modules.
- Shelves or a wire rack should be provided to support each module.
- Allow 1 sq foot within 5 feet of the module for external pump. (Included)
- We do not recommend installing cabinet doors in this space.
- Cafe owner should consider where filtration will go. Water filtration is required for all coffee equipment.

Water Specifications

Your filtration system should produce water with the following properties:

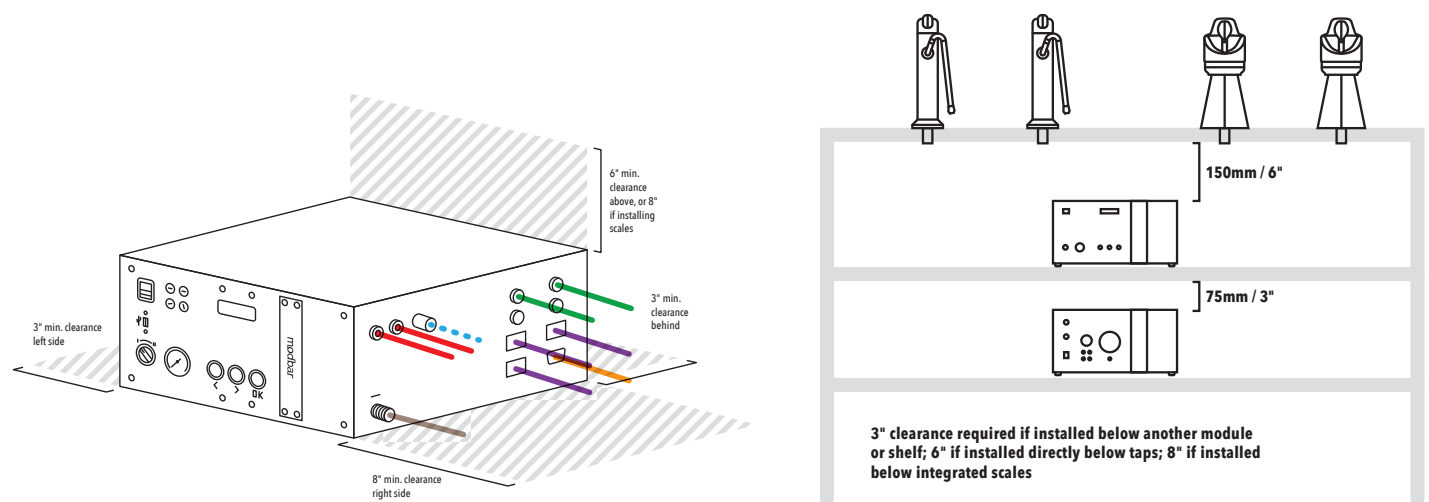
| | |
|-----------------------|------------|
| T.D.S. | 90–150ppm |
| TOTAL HARDNESS | 70–100 ppm |
| TOTAL IRON | 0–0.02ppm |
| FREE CHLORINE | 0–0.05ppm |
| TOTAL CHLORINE | 0–0.1ppm |
| PH | 6.5–8 |

| | |
|----------------------|-------------|
| ALKALINITY | 40–80ppm |
| CHLORIDE | 0–30ppm |
| LINE PRESSURE | 35–70 PSI |
| FLOW RATE | 2 GPM/8 LPM |

Module Dimensions & Specifications

| MODULE | WIDTH (+CLEARANCE) | DEPTH (+CLEARANCE) | HEIGHT (+CLEARANCE) | WEIGHT | VOLTAGE | RECEPTACLE | WATTAGE |
|-------------|--------------------|--------------------|--|--------|----------|------------|---------|
| Espresso AV | 17" (+11") | 15" (+3") | 8 1/2" (+6", or 8" if installing scales) | 40 lbs | 208-240V | NEMA 6-20R | 3200 |
| Steam | 17" (+11") | 15" (+3") | 8 1/2" (+6") | 40 lbs | 208-240V | NEMA 6-20R | 3600 |

Required Module Clearance



Plumber Specifications

- Each module requires a 3/8" angle stop valve, with a flow rate of at least 2 gallons per minute.
- Pressure between 35 and 70 PSI. If pressure is too high i.e. >70psi, pressure regulator is required.
- Owner should communicate with equipment installer about water filtration requirements. Talk with your sales representative for more information.

Waste Outlet

- Drain connection is male 3/4" barb connection. Required 3/4" armored drain hose (5') is included with your system.
- Open gravity drain of minimum 1 1/2" interior diameter within 5 feet of module(s).
- Drain must be located lower than the bottom-most module in your Modbar system. There must be no less than 1" per foot downward slope in drain line.

Electrician Specifications

- The electrical requirements are 208-240 Volt single-phase, 50-60hz supply with 20 amp per module. (Subpanels are useful in multiple-module installations.)
- All modules will be supplied with a NEMA 6-20P plug end on the power cord. Each module is provided with a 6 foot power cord exiting machine from the right-hand side. Location of electrical supply should take this into account. Receptacle should be no further than 5 feet from the modules, with the electrician responsible for installation of NEMA 6-20R.

